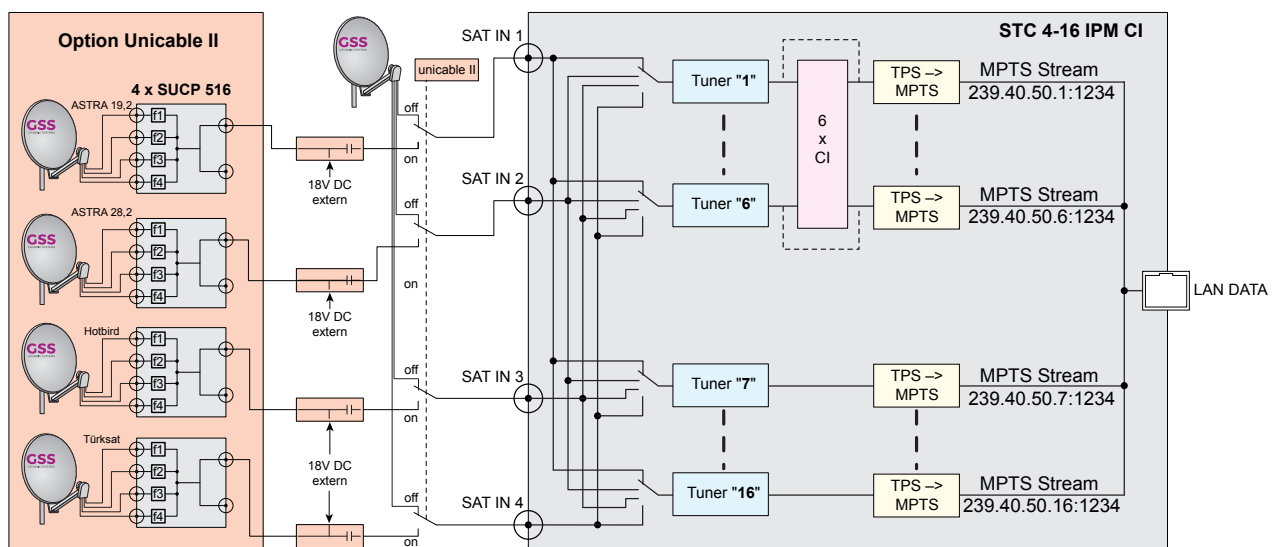


Head-End Station with CI 16 x DVB-S2 → 16 x MPTS

Features

- Direct Conversion
- 4 SAT IF inputs VL, VH, HL, HH
- 16 DVB-S2 tuners with 16/32APSK support
 - SAT input selectable
- Station filter:
 - Programmes can be removed
 - (Programme data stream incl. modification of the tables)
- Transport Stream Processing:
 - Network Information Table (NIT) for complete head-end station
 - LCN (Logical Channel Numbering)
- 6 CI slots for CA modules for Tuner 1 – 6
- Up to 4 satellites with each 4 levels in conjunction with SUCP 516
 - Option Uicable II
- HTML user interface
- World wide access via OpenVPN connection...
 - ... by PC, tablet or smart phone with Internet access



Technical data:

The devices meet the EU directives 2011/65/EU, 2014/30/EU and 2014/35/EU.
The product fulfils the guidelines and standards for CE labelling.

Unless otherwise noted all values are specified as "typical".

RF input DVB-S2

Frequency range:	910 ... 2150 MHz
DVB-S modes:	QPSK 1/2 , 2/3 , 3/4 , 5/6 , 7/8
DVB-S2 modes:	QPSK 1/2 , 3/5 , 2/3 , 3/4 , 4/5 , 5/6 , 8/9 , 9/10 8PSK 3/5 , 2/3 , 3/4 , 5/6 , 8/9 , 9/10 16APSK 2/3 , 3/4 , 4/5 , 5/6 , 8/9 , 9/10 32APSK 3/4 , 4/5 , 5/6 , 8/9 , 9/10
Symbol rate DVB-S:	QPSK: 1 ... 45 MSymb/s
Symbol rate DVB-S2:	QPSK: 4.5 ... 45 MSymb/s 8PSK: 4.5 ... 45 MSymb/s 16APSK: 4.5 ... 39 MSymb/s 32APSK: 4.5 ... 32 MSymb/s
Maximum data rate/tuner:	83MBit/s
Level range:	60 dB μ V ... 80 dB μ V
Input impedance:	75 Ω
LNC supply:	maximum total output of 500 mA

RLAN interface (for data)

Standard:	1000-BASE-T
Data rate:	\leq 800 MBit
Protocols:	UDP (User Data Protocol), RTP (Real-Time Transport Protocol)

💡 Live Streaming/Multicast Streaming requires specially designed and configured networks.

Minimum Requirements include:

- Layer-3 Switched Ethernet
- Multicast Enabled IGMPv2/3
- Network and Multicast Routing Supported.

Connections

SAT inputs:	4 F sockets
LAN (for data) 1000-BASE-T:	1 RJ45 socket
LAN (for control) 1000-BASE-T:	1 RJ45 socket
Common Interface:	6 (several channels can be descrambled)

General

Supply voltage:	200...240 V ~, 50/60 Hz
Power consumption:	30 W (without LNC supply; without CI); max. 70 W
Ambient temperature:	0...+50 $^{\circ}$ C
Dimensions (W x H x D):	341 mm x 282 mm x 105 mm
Weight:	7 kg